



### **CONVERS**

is a true marvel of functionality, engineering & design. All that is visible in the retracted state is the slender brushed steel cover. With a single touch the display panel elevates with a whisper from the housing below, automatically tilting to the preset user angle.

Designed to encourage interaction within the meeting space it can then disappear as silently & quickly as it appeared to allow the parties' interaction & discourse to continue un-obstructed.

# CONVERS FLEX 173

**ELEMENT ONE**  
**Multimedia GmbH**  
Zum Murgdamm 5  
76456 Kuppenheim  
Deutschland

Fon: +49 (0)7222 96654 20  
Mail: [info@element-one.de](mailto:info@element-one.de)  
[www.element-one.de](http://www.element-one.de)



### Smart equipment

With the unique Direct-Axle-Access you can also manually extend and retract the monitor without electrical power.

Thanks to its compact design, the HD screen combined with its elegant exterior, the Convers 220/173 is particularly suitable for

- Trade and banks
- showrooms
- Executive office
- authorities
- parliaments

FUNCTION

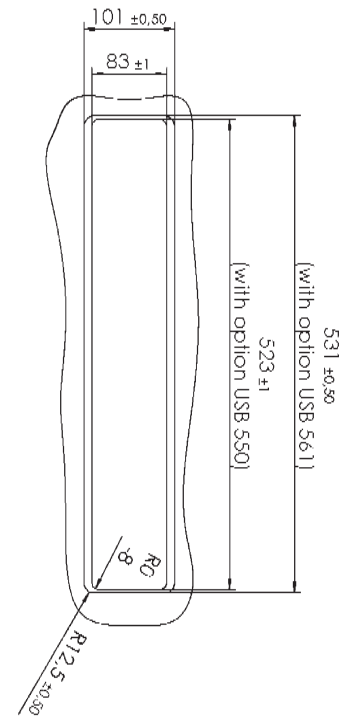
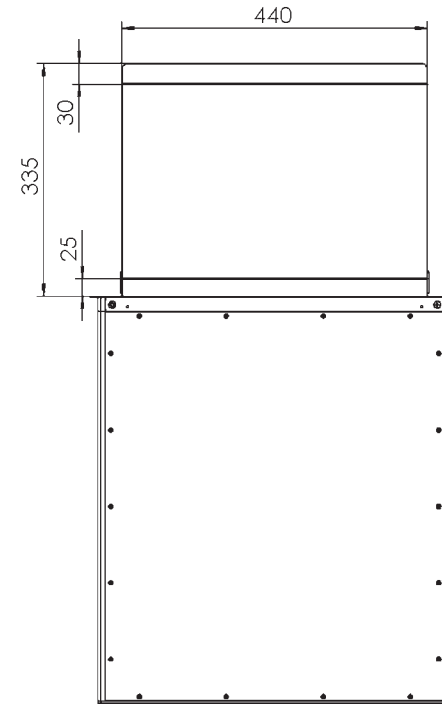
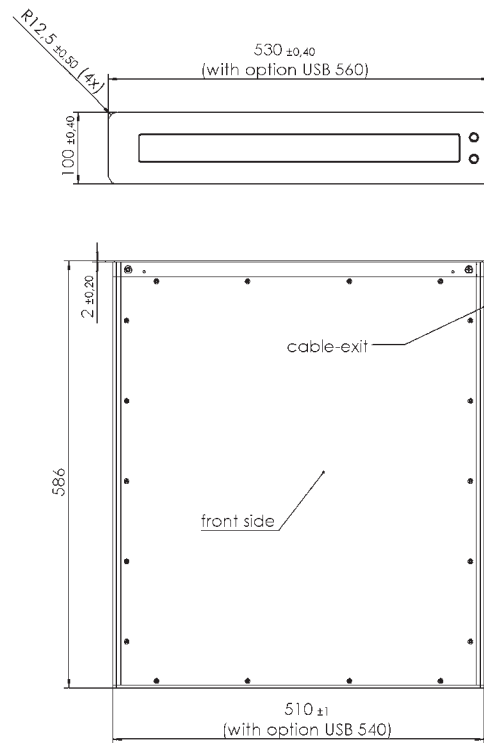
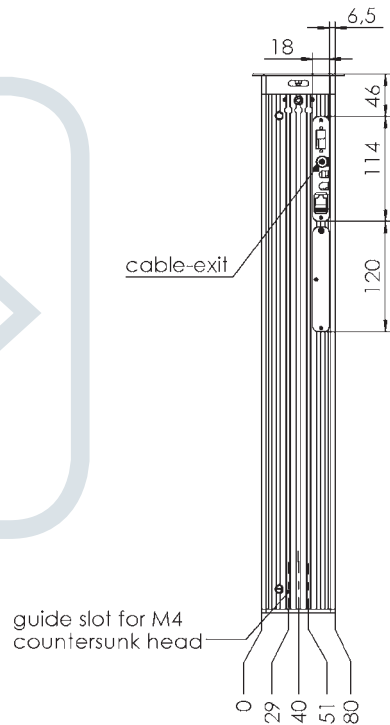
# CONVERS FLEX 173



## TECHNICAL DATA

# Product Spezifikation

<b>Typ function</b>	CONVERS FLEX 173 FullHD / Tilt Furniture integratable 17.3" monitor system with electronic lifting mechanism for raising / retracting display with automatic display tilt ~ 15 ° vertical movement; controllable at the push of a button on the device or via the remote control interface. Separate electromotive adjustment [second motor] both presettable and user adjustable, programmable pitch angle. „Direct-Axle-Access“ for manual raising and retraction of the monitor in the de-energized state (for installation and maintenance purpose)	<b>Appearance height Monitor Panel</b>	Monitor: ca. 365 mm Full HD 17.3" LED backlit TFT; HDCP compliant; Active Matrix; Widescreen Format 400 cd/m <sup>2</sup>
<b>Motor mechanics</b>	12 V stepper motor with precise synchronization - for simultaneous extension when using multiple monitors. Separate 12V stepper motor for tilt angle. Presettable on the device or remote maintenance; silent: <40dB	<b>Brightness Contrast typ Resolution native Pixel pitch Viewing angle Viewing area Lifespan Video Interface Remote Interface</b>	600:1 1920 x 1080 – Full HD (16:9), 16,7M colors 0.1989 x 0.1989 mm Horizontal 160°/ Vertical - 140° 381.888 (h) x 214.812 (v) mm Display up to 50.000 hrs. HDMI (VGA, DVI, DP Optional) TCP/IP command set on-board via RJ45 and 9-PIN d-sub serial; for device control and status request. Optionally adjustment of motion parameter & firmware update (original E1-cable & software required)
<b>Time to extend Display Time to retract Display MATERIAL Monitor Decorative trim Mounting frame Mechanics Dimensions Mass Inclination</b>	Raise: 12.8 Sec.;Tilt: 5.3 Sec.; total: 18.1 (+/- 0.5) Sec. Tilt 5.4 Sec.; Retraction: 12.1 Sec. total: 17.5 (+/- 0,5) Sec. Milled Aluminum, silver anodized, 3mm anti-reflective protection glass Acrylic black stainless, brushed Aluminum anodized, stainless steel, POM 530 x 100 x 587 mm 15.0 kg Monitor 15° - stepless adjustable and presettable	<b>Power consumption Certificate Limited warranty Spare part Scope of supply Power adapter</b>	max. 15W CE, FCC 5 yrs. (Mechanics); 2 yrs. (Electronics) availability 10 yrs. Input: 100-240V~, 50/60Hz. 1.5A; Output: 12V 5.A 60W MAX (Length power cord DC ~140 cm; Power cord AC 150 cm)
		<b>Sustainable materials &amp; production</b>	



## TECHNICAL DATA

# Dimensions

We'd be delighted to offer our expertise in the planning and selection of the right solution for your needs. If required, we can send further technical drawings, detailed photographs, material samples and, of course, demo devices – perfect to handle and try out.

Simply call us on **+49 (0)7222 96654-20**  
Or send us an e-mail at: **info@element-one.de**

**ELEMENT ONE**  
**Multimedia GmbH**  
Zum Murgdamm 5  
76456 Kuppenheim  
Deutschland

Fon: +49 (0)7222 96654 20  
Mail: info@element-one.de  
www.element-one.de